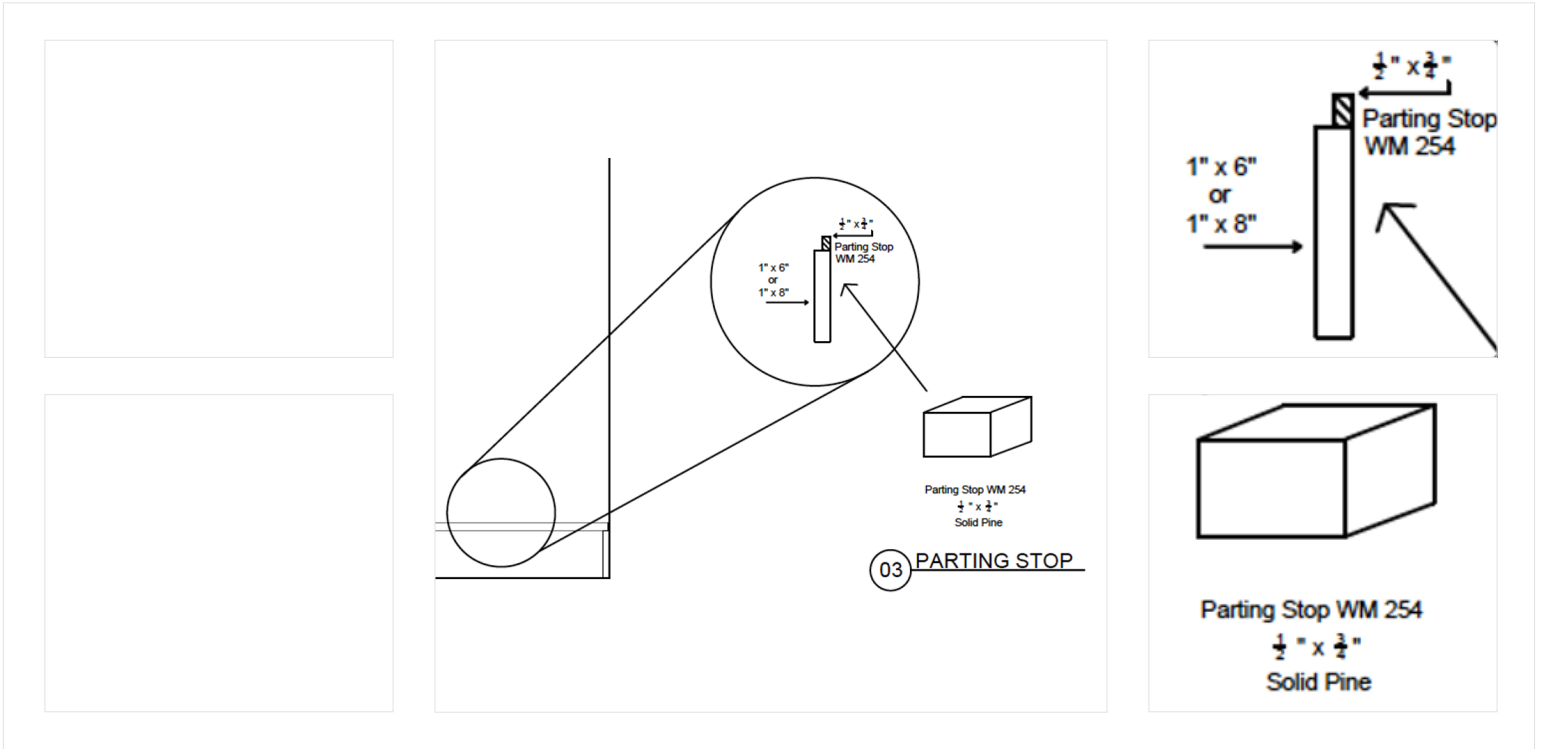


3025 BRYN MAWR TRIM SELECTIONS

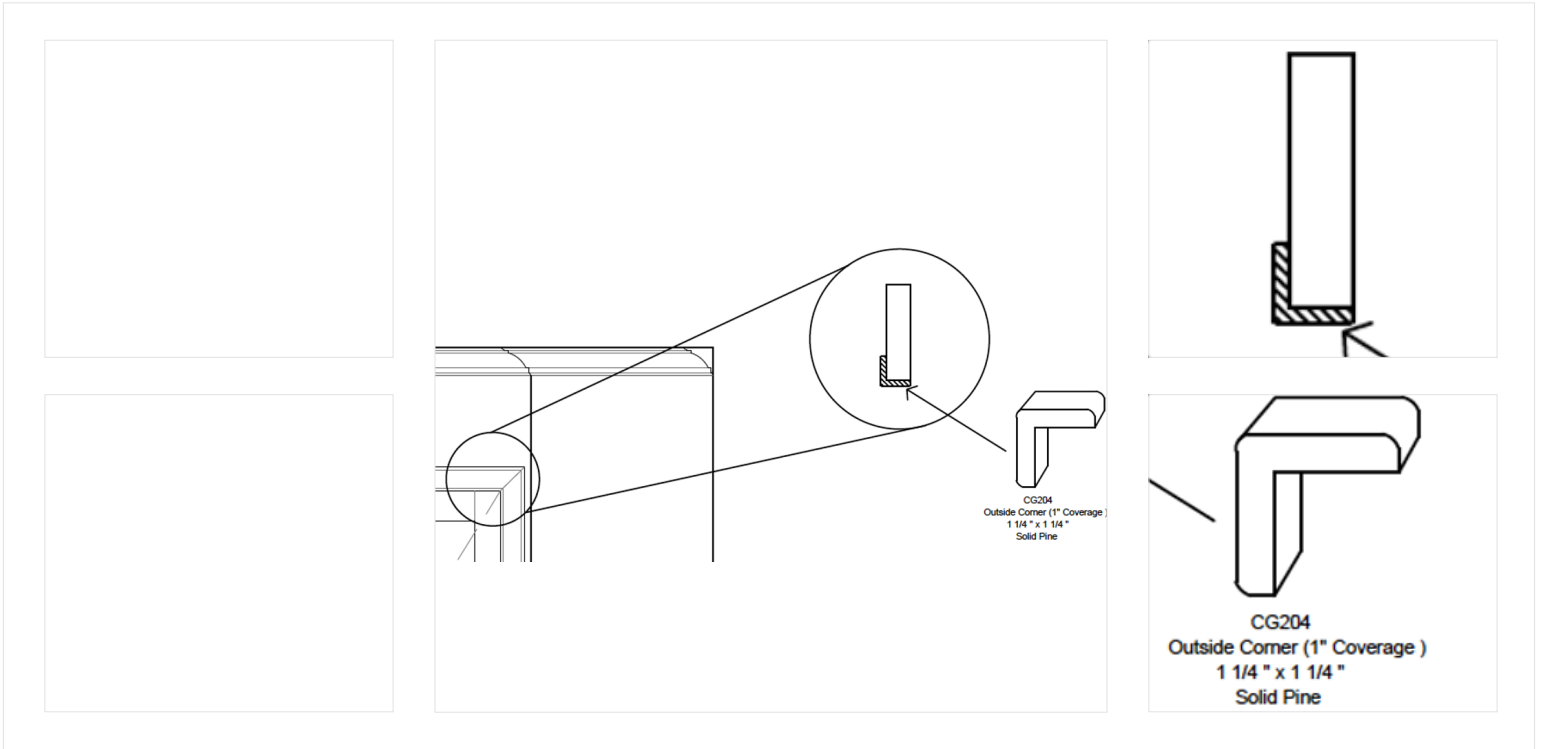
PROJECT ADDRESS:

3025 BRYN MAWR DR.
DALLAS, TEXAS, 75225



GENERAL NOTE: ALL DISCLAIMERS & GENERAL NOTES DESCRIBED ON PAGE #2 ON THIS DOCUMENT APPLY TO THIS SELECTION BY MANOLO DESIGN STUDIO.

Manufacturer:	BMC
Collection:	-
Product Name:	Parting Stop
Location(s):	Above baseboard throughout. Typical, Unless Noted Otherwise.
Description:	-
Model Number:	WM 254
Color:	PT-02
Finish:	Paint
Size:	3/4" x 1/2"
Nominal Lengths:	-
Material:	-
General Notes:	-
Vendor Contact:	-
More Information:	building@manolodesignstudio.com



GENERAL NOTE: ALL DISCLAIMERS & GENERAL NOTES DESCRIBED ON PAGE #2 ON THIS DOCUMENT APPLY TO THIS SELECTION BY MANOLO DESIGN STUDIO.

Manufacturer:	BMC
Collection:	-
Product Name:	Outside Corner
Location(s):	Edge of door Casing throughout. Typical, Unless Noted Otherwise.
Description:	Door casing
Model Number:	CG204
Color:	PT-02
Finish:	Paint
Size:	-1 1/4" x 1 1/4"
Nominal Lengths:	-
Material:	-
General Notes:	-
Vendor Contact:	-
More Information:	building@manolodesignstudio.com



GENERAL NOTE: ALL DISCLAIMERS & GENERAL NOTES DESCRIBED ON PAGE #2 ON THIS DOCUMENT APPLY TO THIS SELECTION BY MANOLO DESIGN STUDIO.

Manufacturer:	BMC
Collection:	-
Product Name:	Primed Board
Location(s):	1st Floor Baseboard throughout. Typical, Unless Noted Otherwise.
Description:	Baseboard
Model Number:	-
Color:	PT-02
Finish:	Paint
Size:	1"x8"
Nominal Lengths:	-
Material:	-
General Notes:	-
Vendor Contact:	-
More Information:	building@manolodesignstudio.com



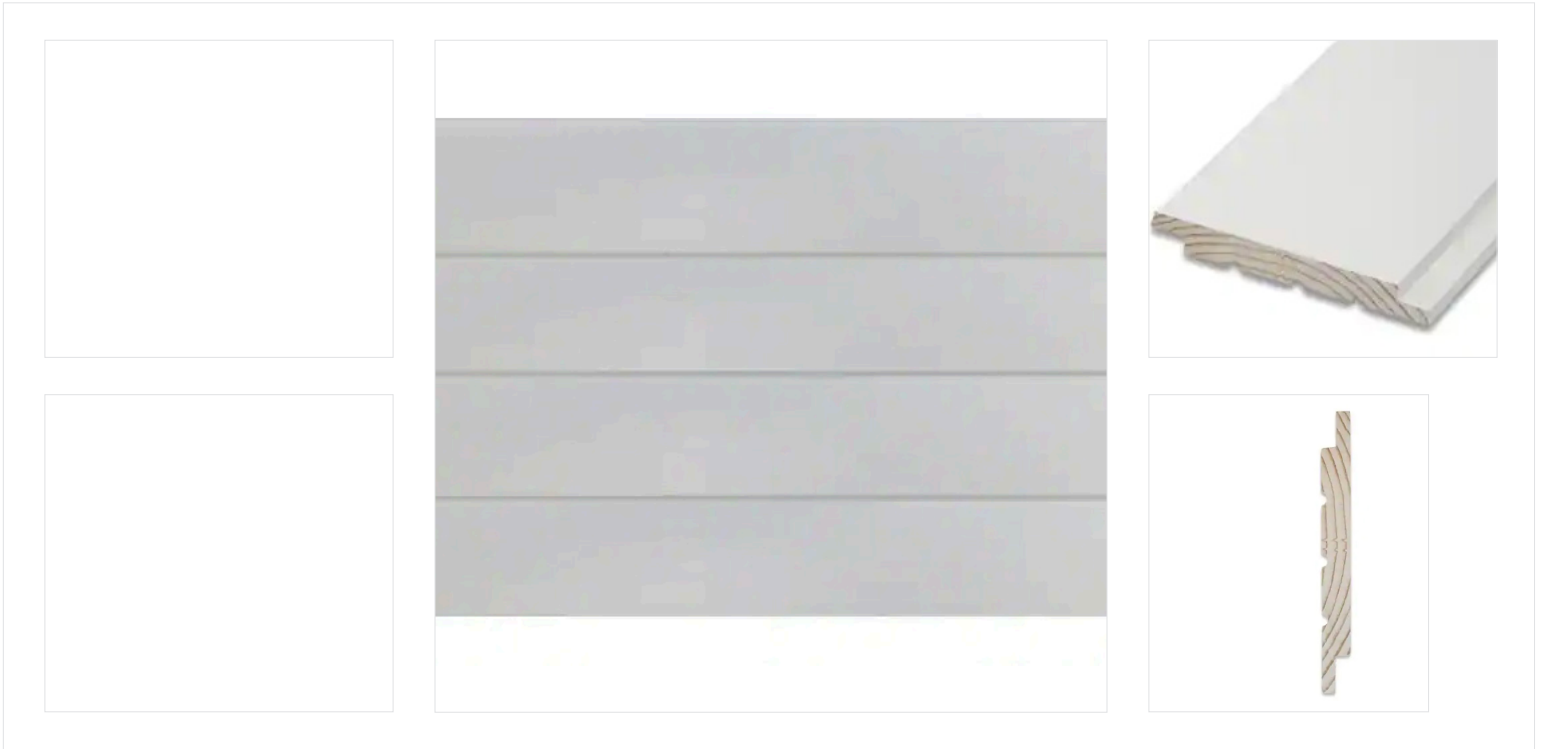
GENERAL NOTE: ALL DISCLAIMERS & GENERAL NOTES DESCRIBED ON PAGE #2 ON THIS DOCUMENT APPLY TO THIS SELECTION BY MANOLO DESIGN STUDIO.

Manufacturer:	BMC
Collection:	-
Product Name:	Primed Board
Location(s):	2nd Floor baseboard throughout. Typical, Unless Noted Otherwise.
Description:	Baseboard
Model Number:	-
Color:	PT-02
Finish:	Paint
Size:	1"x6"
Nominal Lengths:	-
Material:	-
General Notes:	-
Vendor Contact:	-
More Information:	building@manolodesignstudio.com



GENERAL NOTE: ALL DISCLAIMERS & GENERAL NOTES DESCRIBED ON PAGE #2 ON THIS DOCUMENT APPLY TO THIS SELECTION BY MANOLO DESIGN STUDIO.

Manufacturer:	BMC
Collection:	-
Product Name:	Primed MDF
Location(s):	Door Casing throughout. Typical, Unless Noted Otherwise.
Description:	-
Model Number:	-
Color:	PT-02
Finish:	Paint
Size:	1"x4"
Nominal Lengths:	-
Material:	-
General Notes:	-
Vendor Contact:	-
More Information:	building@manolodesignstudio.com



GENERAL NOTE: ALL DISCLAIMERS & GENERAL NOTES DESCRIBED ON PAGE #2 ON THIS DOCUMENT APPLY TO THIS SELECTION BY MANOLO DESIGN STUDIO.

Manufacturer:	BMC
Collection:	-
Product Name:	Pined Ship Lap Board
Location(s):	Butler Pantry, Pantry, Moms Office
Description:	Exterior Siding
Model Number:	-
Color:	EPT-01
Finish:	Paint
Size:	9/16" x 5 1/4"
Nominal Lengths:	-
Material:	-
General Notes:	-
Vendor Contact:	-
More Information:	building@manolodesignstudio.com



GENERAL NOTE: ALL DISCLAIMERS & GENERAL NOTES DESCRIBED ON PAGE #2 ON THIS DOCUMENT APPLY TO THIS SELECTION BY MANOLO DESIGN STUDIO.

Manufacturer:	BMC
Collection:	Red or White oak
Product Name:	Wood Faux Beam
Location(s):	Kitchen, Kitchen Breakfast
Description:	Decorative Beam
Model Number:	-
Color:	PT-09
Finish:	Stain, Distressed, Rough Texture
Size:	8"x8"
Nominal Lengths:	-
Material:	-
General Notes:	G.C. to provide sample on-site
Vendor Contact:	-
More Information:	building@manolodesignstudio.com